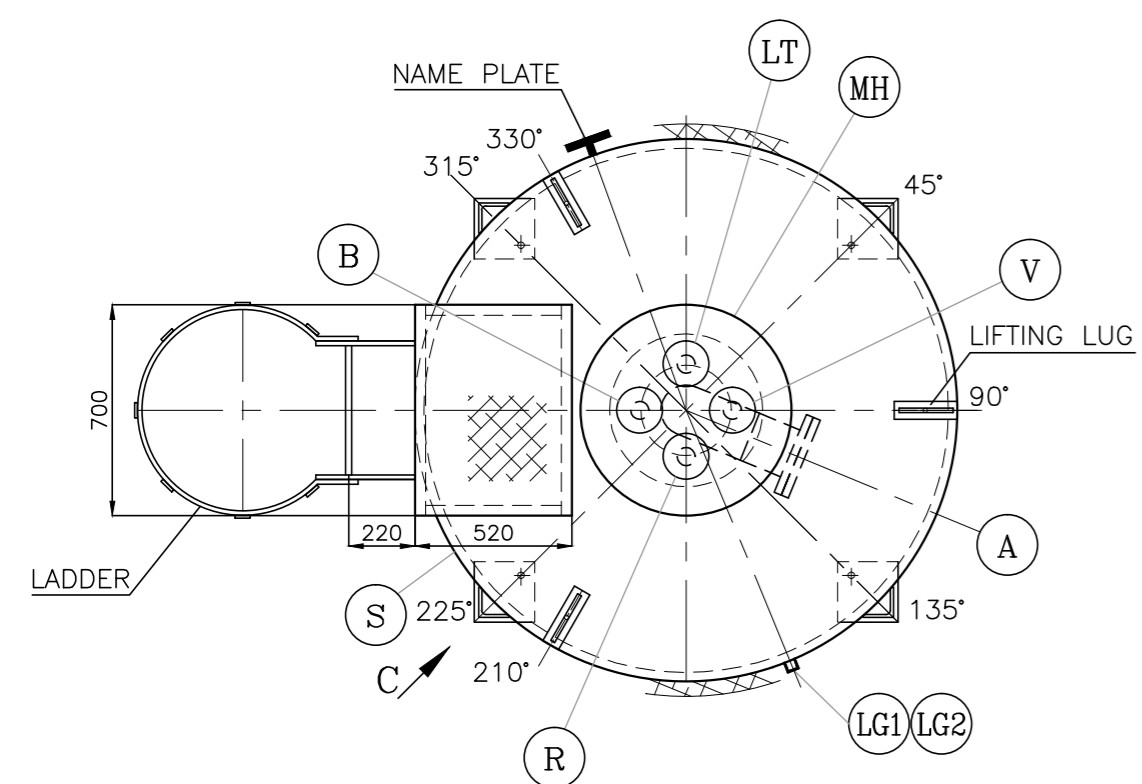
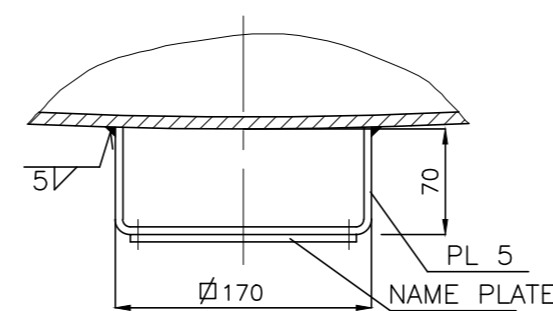


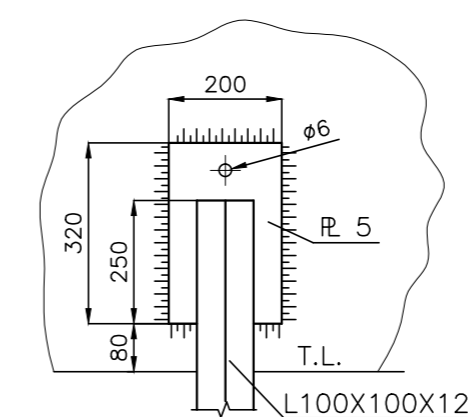
ELEVATION  
NOT FOR ORIENTATION



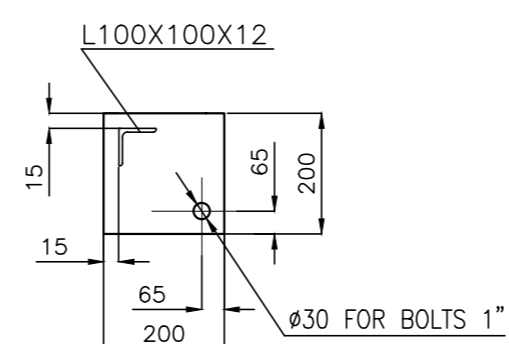
NOZZLE ORIENTATION  
HOLD



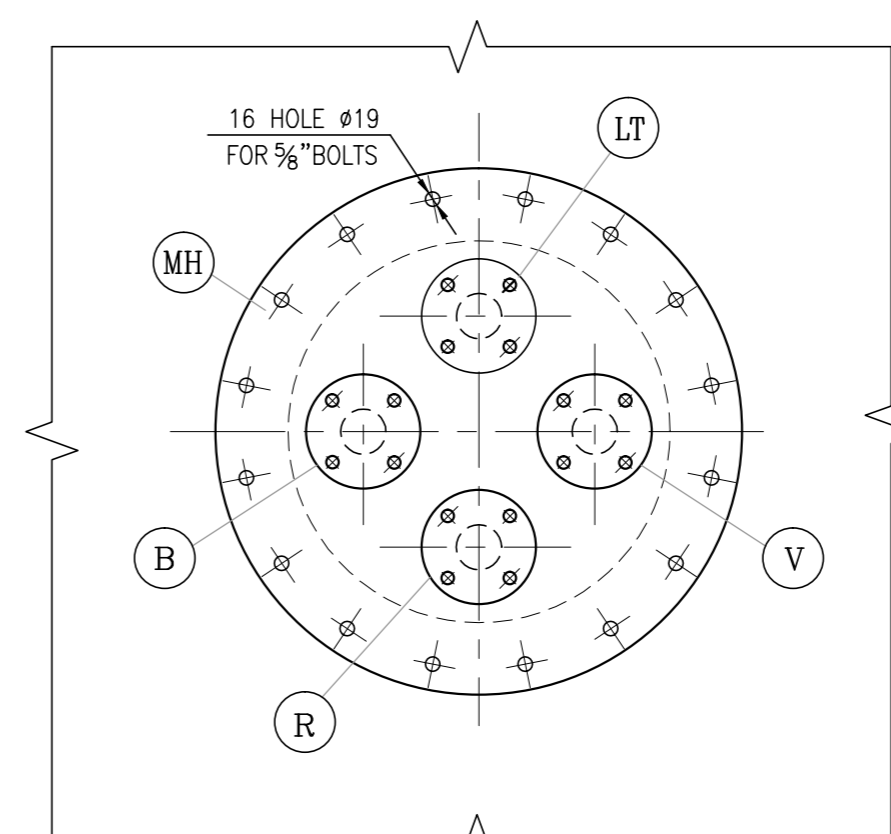
SECTION A-A



VIEW C



SECTION B-B



VIEW D

NOZZLE SCHEDULE				VESSEL DATA		
MK.	SERVICE	SIZE & RATE	REMARKS	No.	ITEM	4A/4B; 5A/5B
A	OUTLET	6" 150#		FLUID	REQUIRED	4
B	INLET	2" 150#	WITH INTERN DOWNCOMER		FLUID SPEC.	FOAM CONCENTRATE
V	VACUUM PRESSURE RELIEF VALVE	2" 150#				3% AFFF
MH	MANHOLE	20"	ACC.TO API-650	PRESS.	SPECIFIC GRAVITY	~1.03
LT	LEVEL TRANSMITTER	2" 150#			DESIGN Kg/cm <sup>2</sup> PSI	HYDROSTATIC
S	SPARE	2" 150#			OPERATING Kg/cm <sup>2</sup> PSI	HYDROSTATIC
R	RETURN	2" 150#		TEMP.	TEST Kg/cm <sup>2</sup> PSI	FULL WATER
LG1, LG2	LEVEL GAUGE	1" 3000#	COUPLING NPT		DESIGN °C/°F	AMBIENT
					OPERATING °C/°F	AMBIENT
				SHELL	DIAMETER ,mm	1800 I.D.
					HEIGHT ,mm	3100
					THICKNESS ,mm	5
				HEAD	CORR. ALLOW. INCL.	-
					TYPE	TORISPHERICAL
					MIN. THICKNESS ,mm	5
				BOTTOM	TYPE	TORISPHERICAL
					MIN. THICKNESS ,mm	5
					MANHOLE RATING	API-650
				CONN'S	MANHOLE DAVIT OR HINGE	
					NOZZLE RATING	ANSI 150#
					CONSTRUCTION	
				MATERIALS	SHELL	A-240 Gr 304L
					HEADS	A-240 Gr 304L
					BOTTOM	A-240 Gr 304L
					FLANGES	A-182 F-304
					MANHOLE NECK	A-240 Gr 304L
					MANHOLE FLANGES	A-240 Gr 304L
				DESIGN & CONST.	NOZZLE NECKS	A 312 TP. 304L
					CODE	
					STRESS REL.	NO
					RADIOGRAPHY	SEE NOTE (1)
					PAINTING	NO
					INSULATION	SEE NOTE (2)
				SHIPMENT	TO SITE	
				WEIGHT EMPTY ,kg	550	
				WEIGHT FULL OF WATER,kg	8550	

NOTES:

1. RADIOGRAPHY FOR SHELL-SPOT
2. TANKS WILL BE SUPPLIED WITH 2" INSULATION (POLIURETAN OR ROCKWELL)

PAZ Engineering & Management(1980) Ltd. Tel.04-8704585 Fax.04-8709757							JOB No.	4546.11	<b>PETROLEUM AND ENERGY INFRASTRUCTURES LTD.</b> TERMINAL KIRYAT HAIM FOAM CONCENTRATE TANKS 4A/4B,5A/5B (8m <sup>3</sup> ) DATA SHEET	SCALE	NTS
	P1	FOR APPROVAL	25.12.18	P.O.	Z.S.		DES.	M.H.		REV. DATE	04.11.18
	PO	FOR COMMENTS	04.11.18	T.S.	Z.S.	DWN.	P.O.	REV. DATE	04.11.18		
DWG.No.	DESCRIPTION	No.	DESCRIPTION	DATE	BY	CHKD.	M.H.	REV.	P1		
						APPR.	Z.S.				
						INITIAL					
						DATE	04.11.18				
REFERENCE DWG.	REVISIONS							DWG. No.	4546.11-600-001		